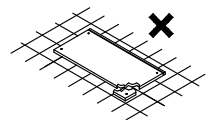
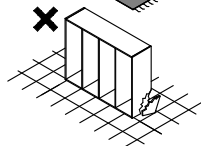
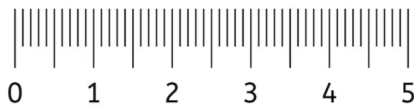
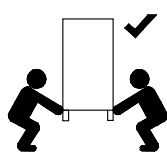
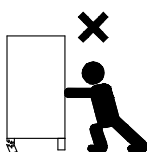
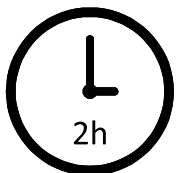
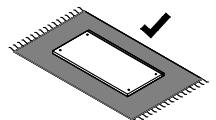
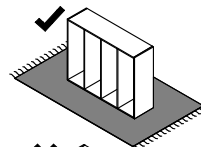
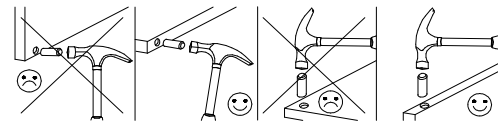
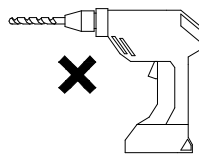
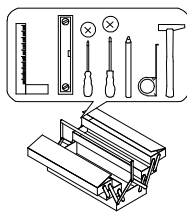
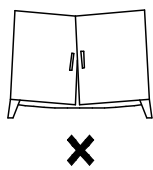
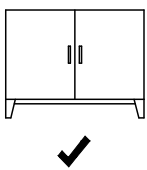
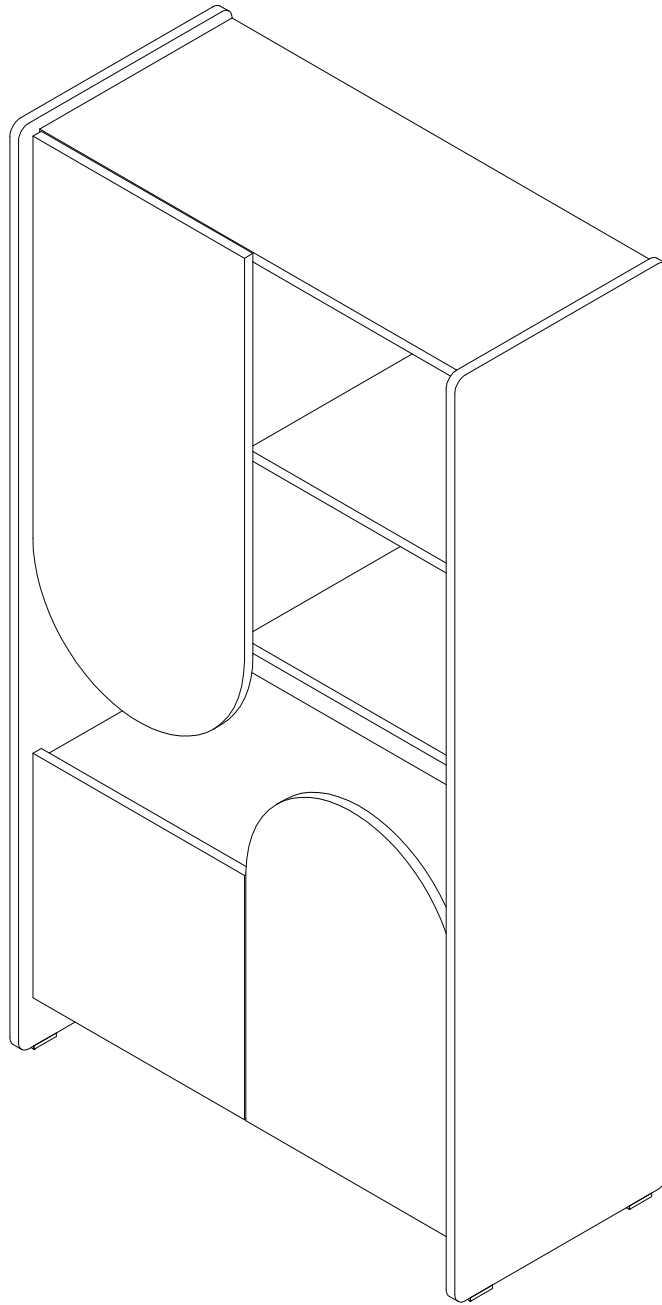
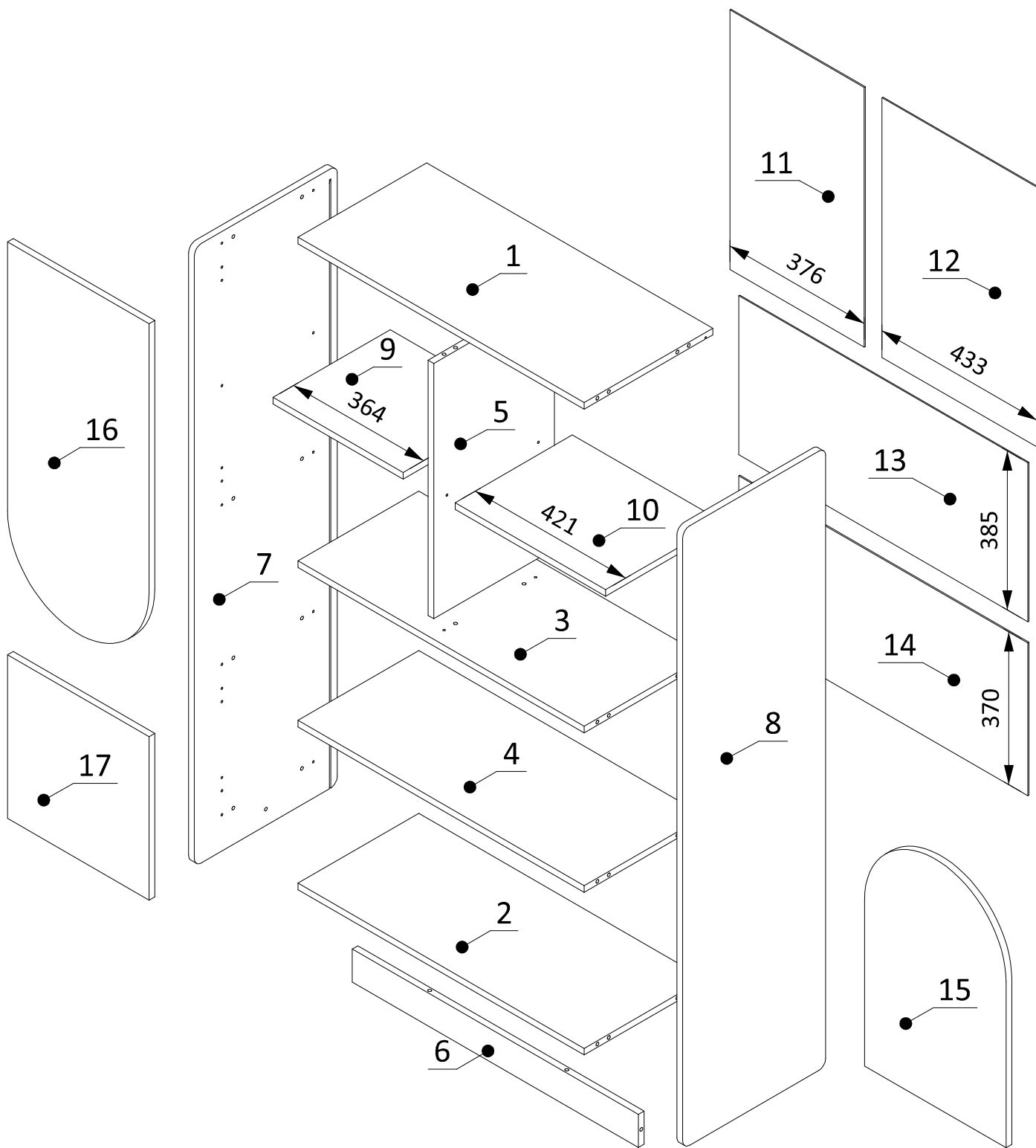
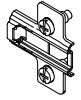
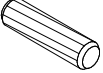

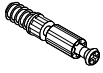
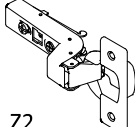




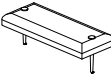


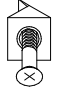



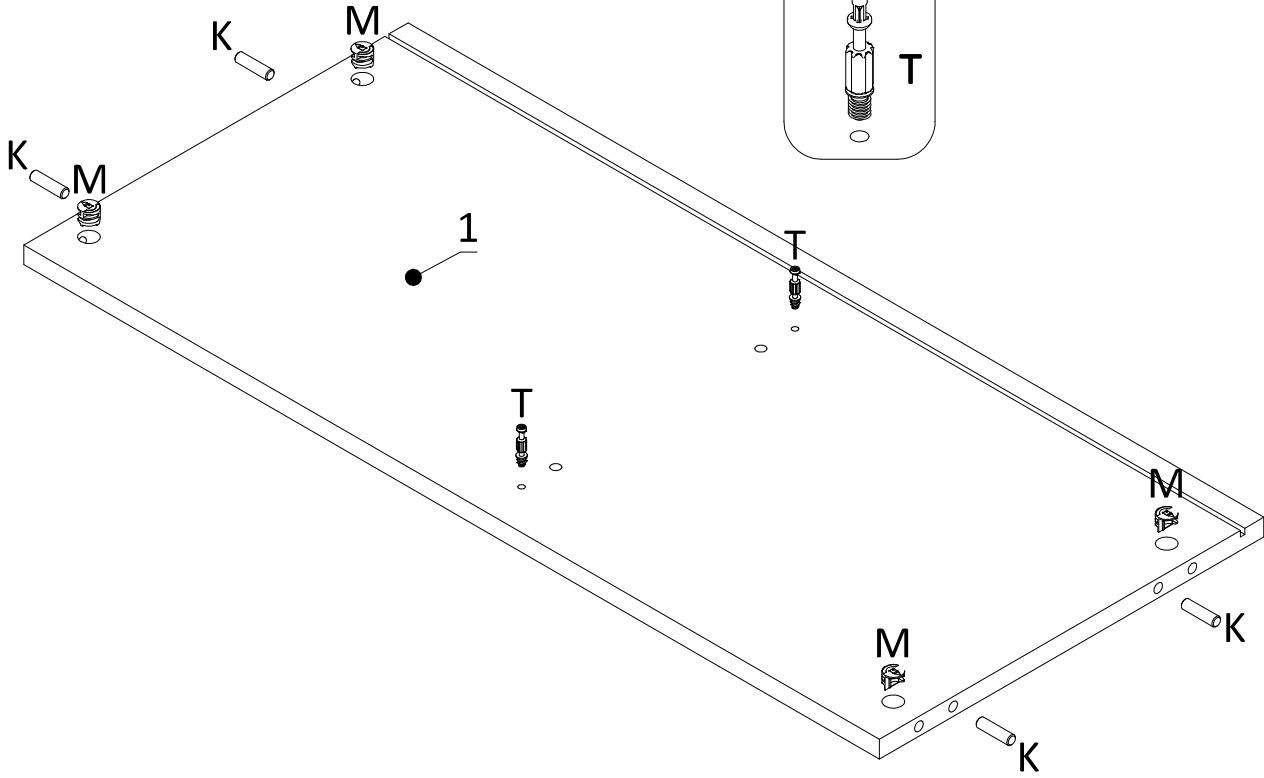
# LEXI R-7



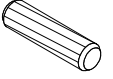


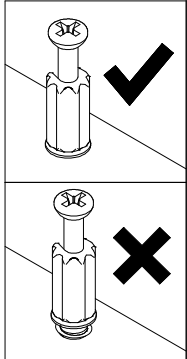


	 8x30	 15/12	 L20,3						
PZ	K	M	T						
6x	24x	20x	20x						
	 4x16	 3x16					 2x20		
Z2	W4	W2	ZM	P	SL	PM	G	S	PS
6x	12x	19x	20x	8x	5x	19x	7x	8x	1x

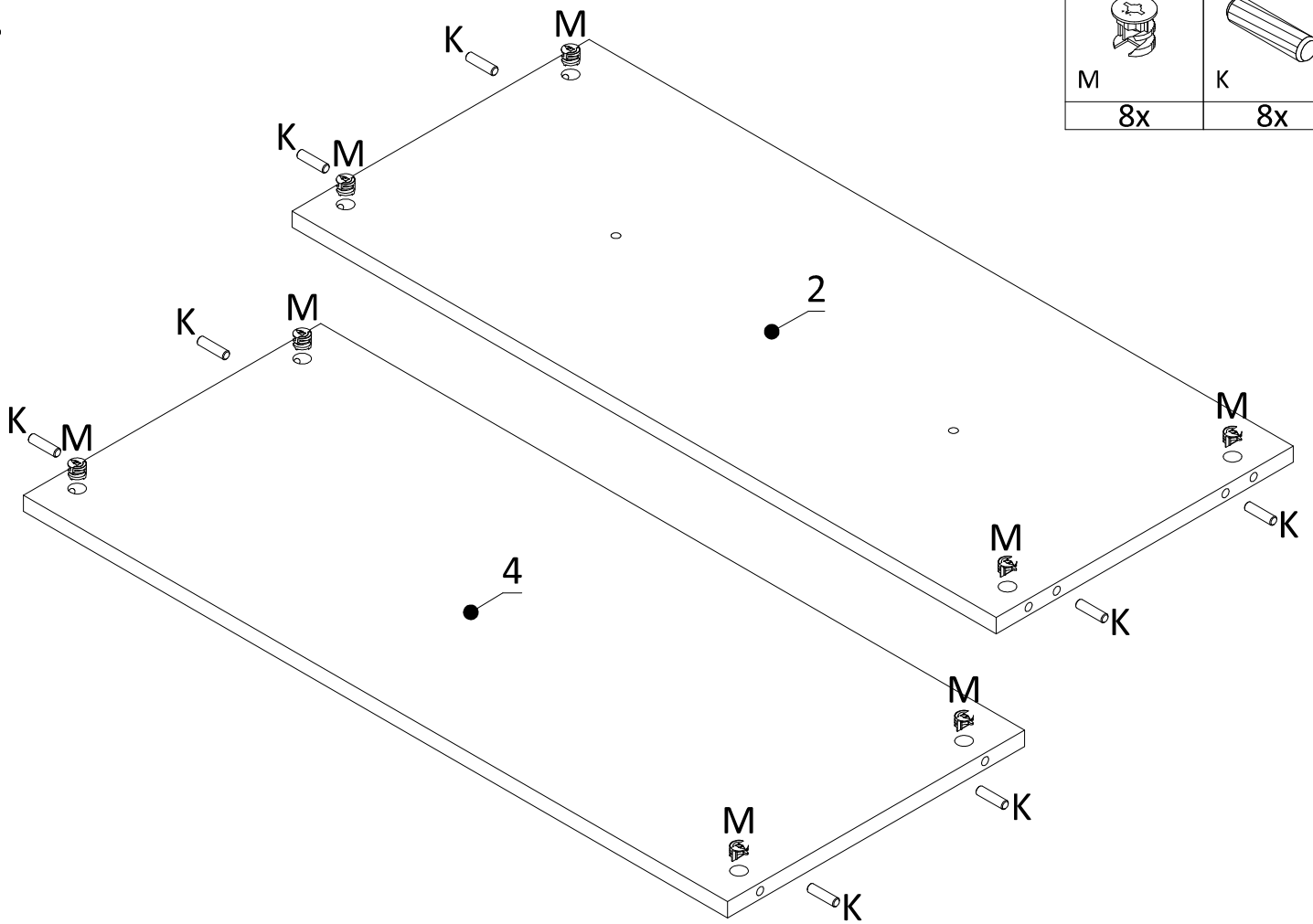
# 1


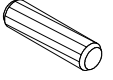


		
T	M	K
2x	4x	4x

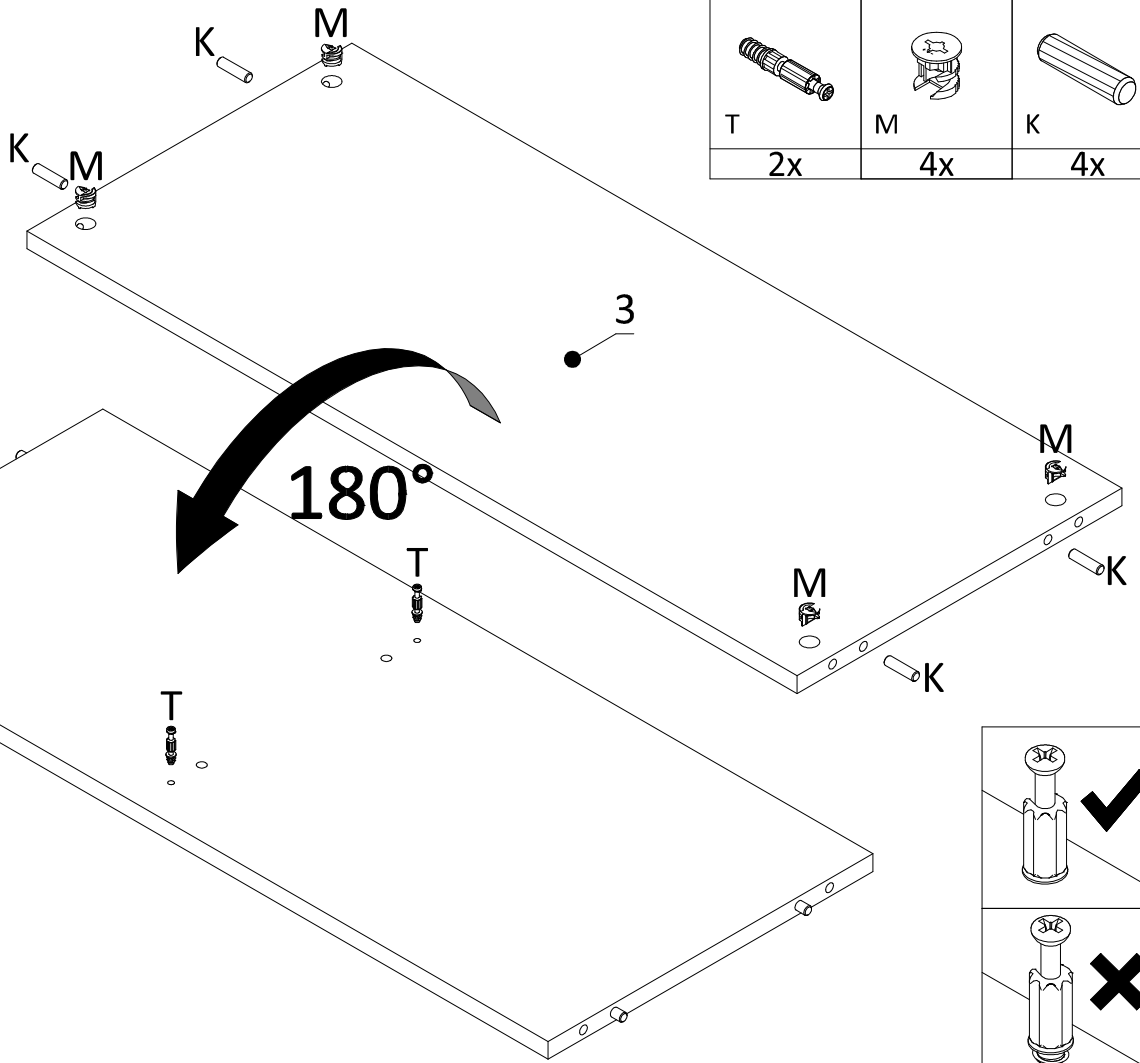
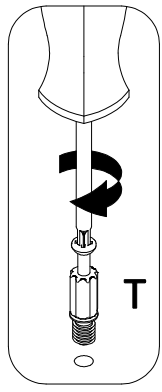


# 2

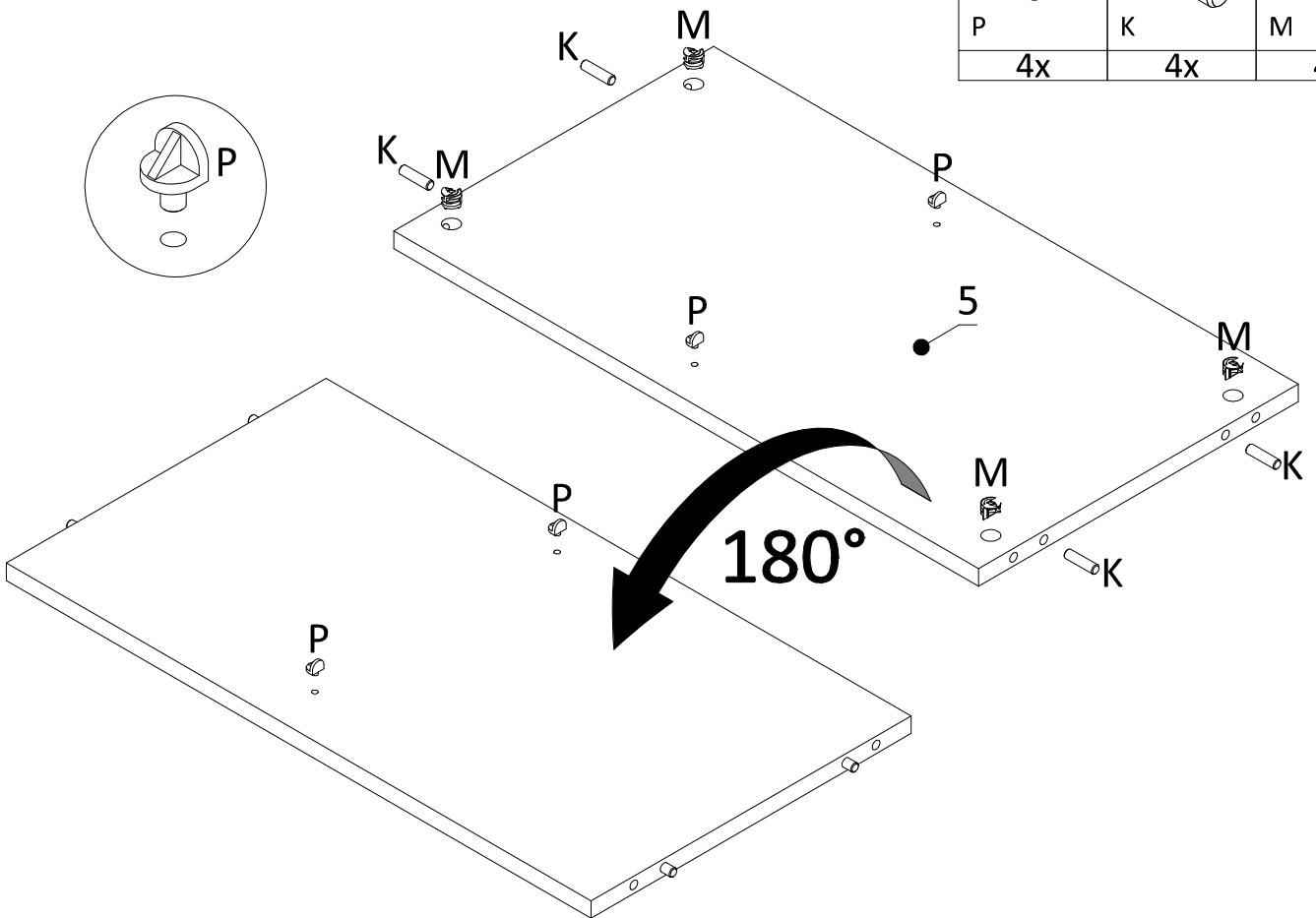
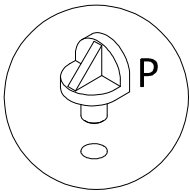


	
M	K
8x	8x

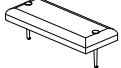
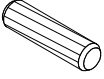
# 3

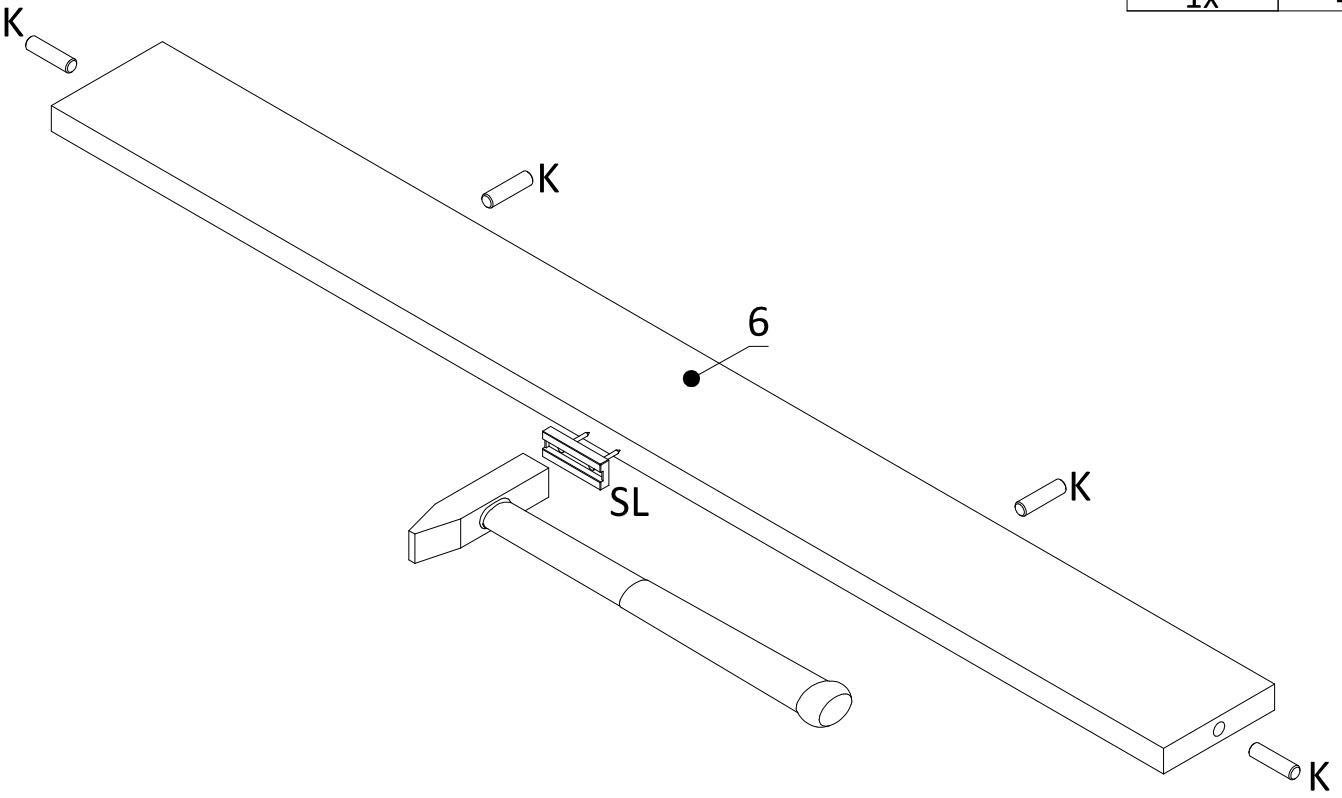


# 4

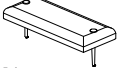
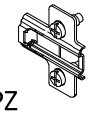

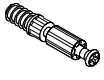


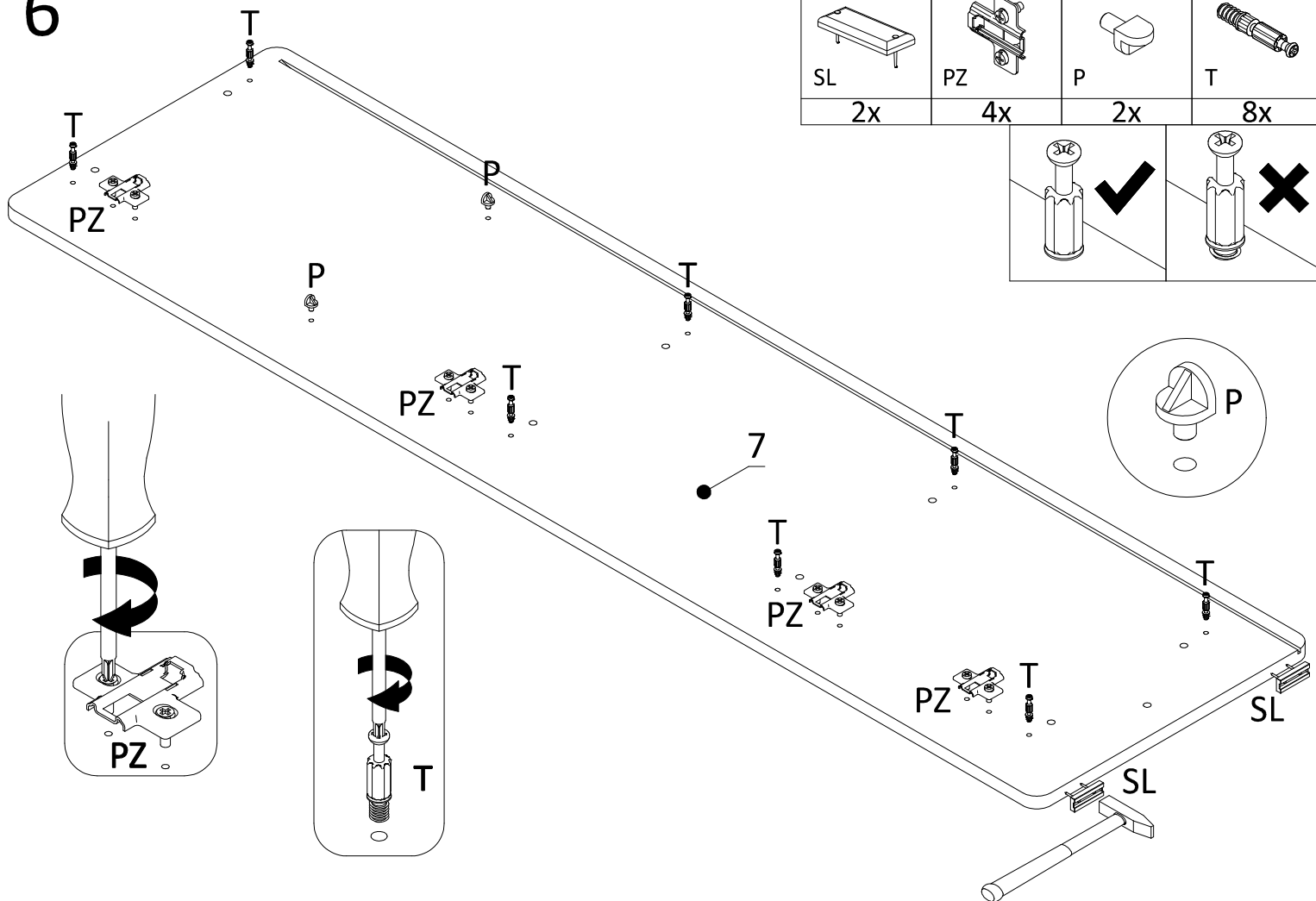
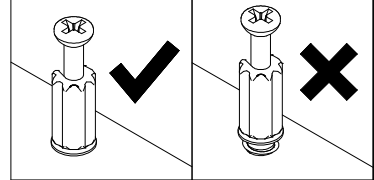
# 5

	
SL	K
1x	4x

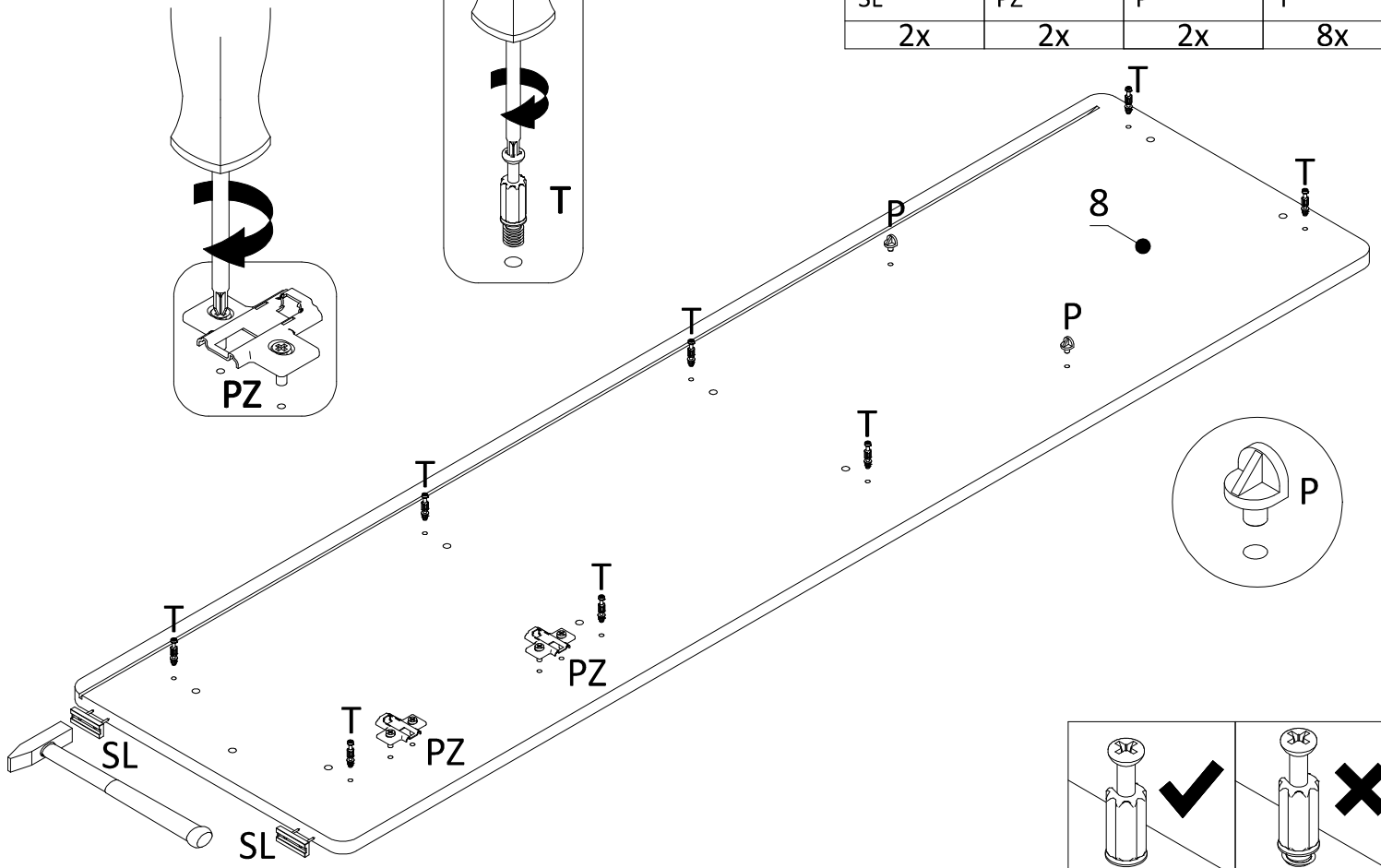


# 6

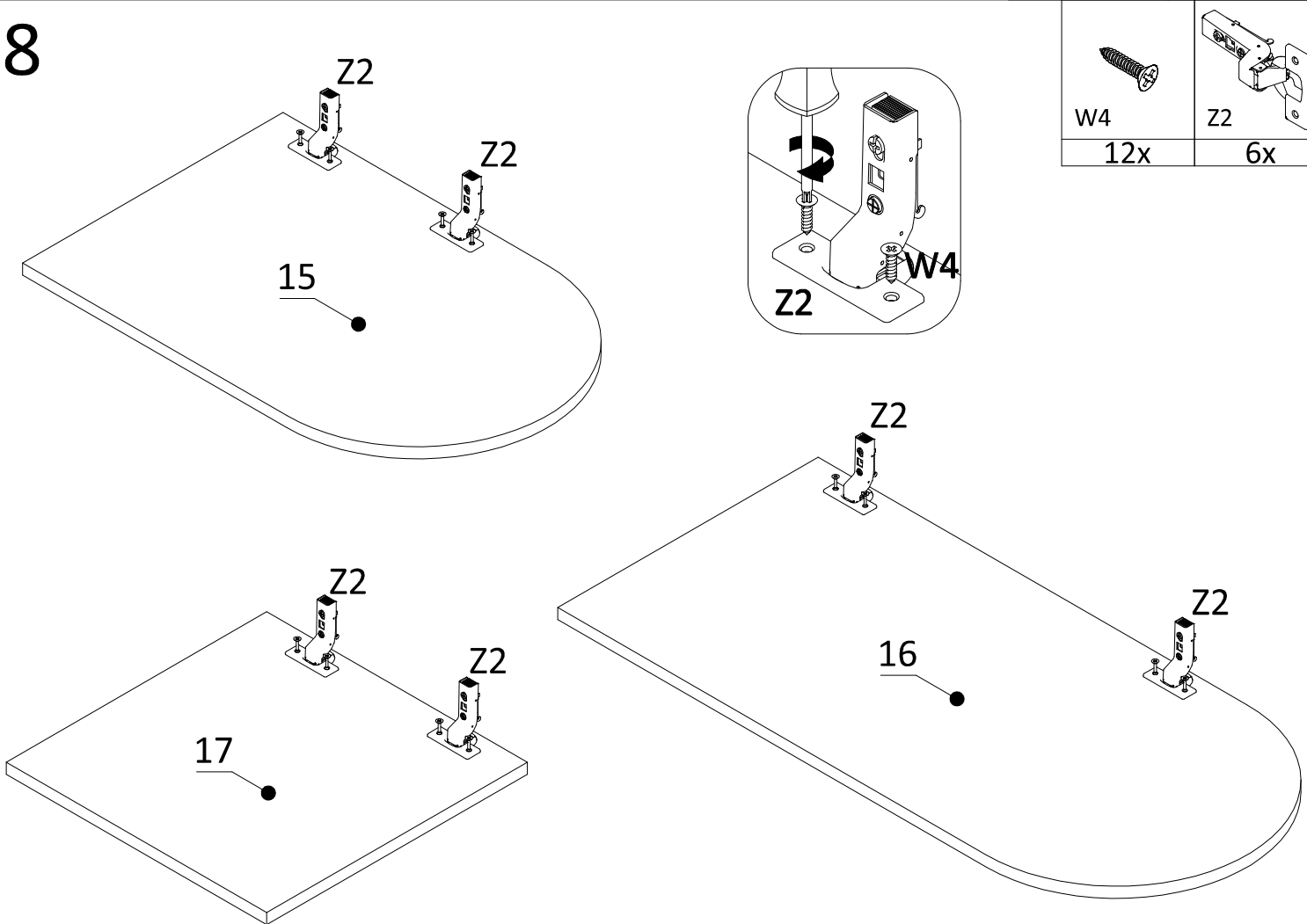
			
SL	PZ	P	T
2x	4x	2x	8x



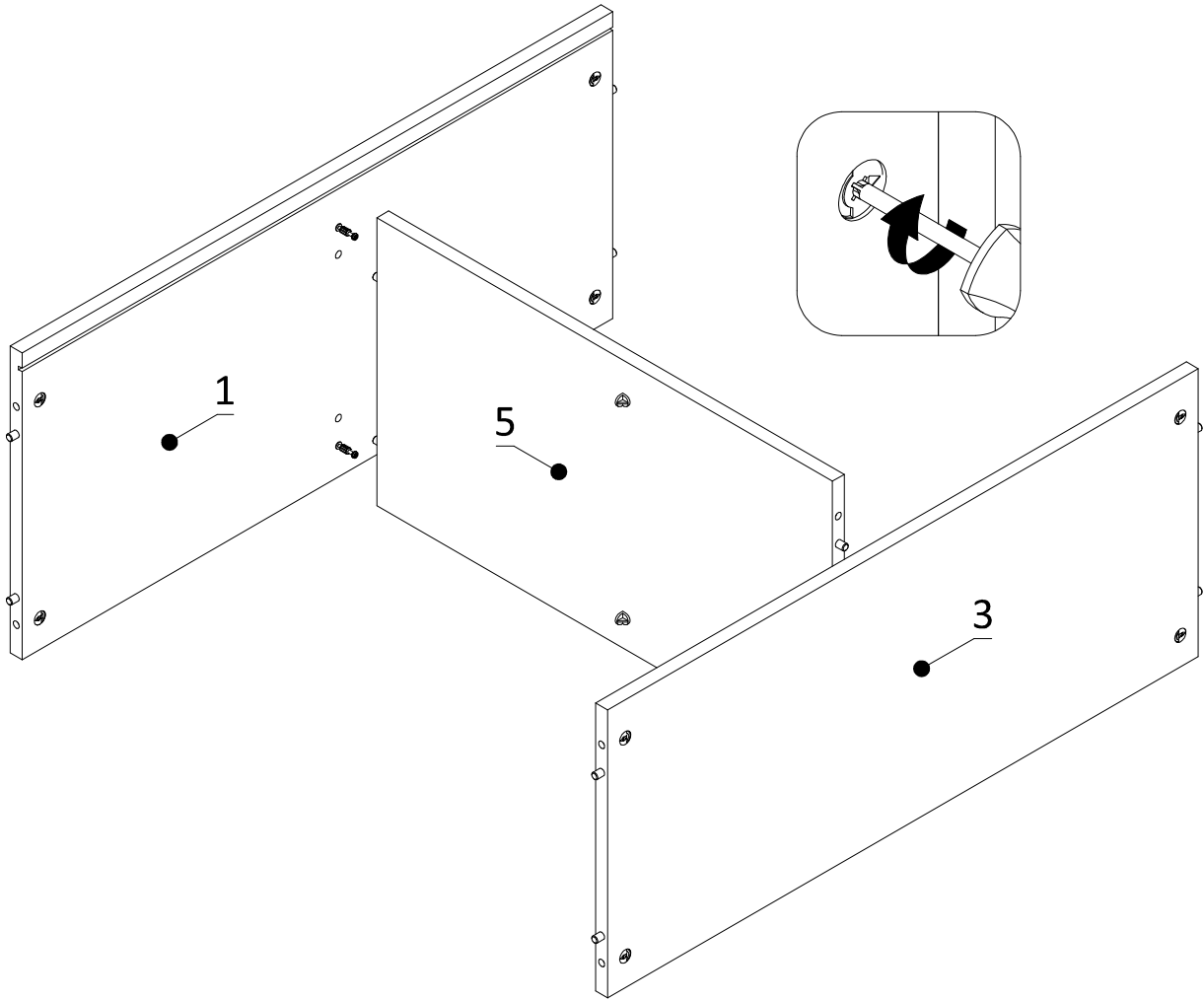
7



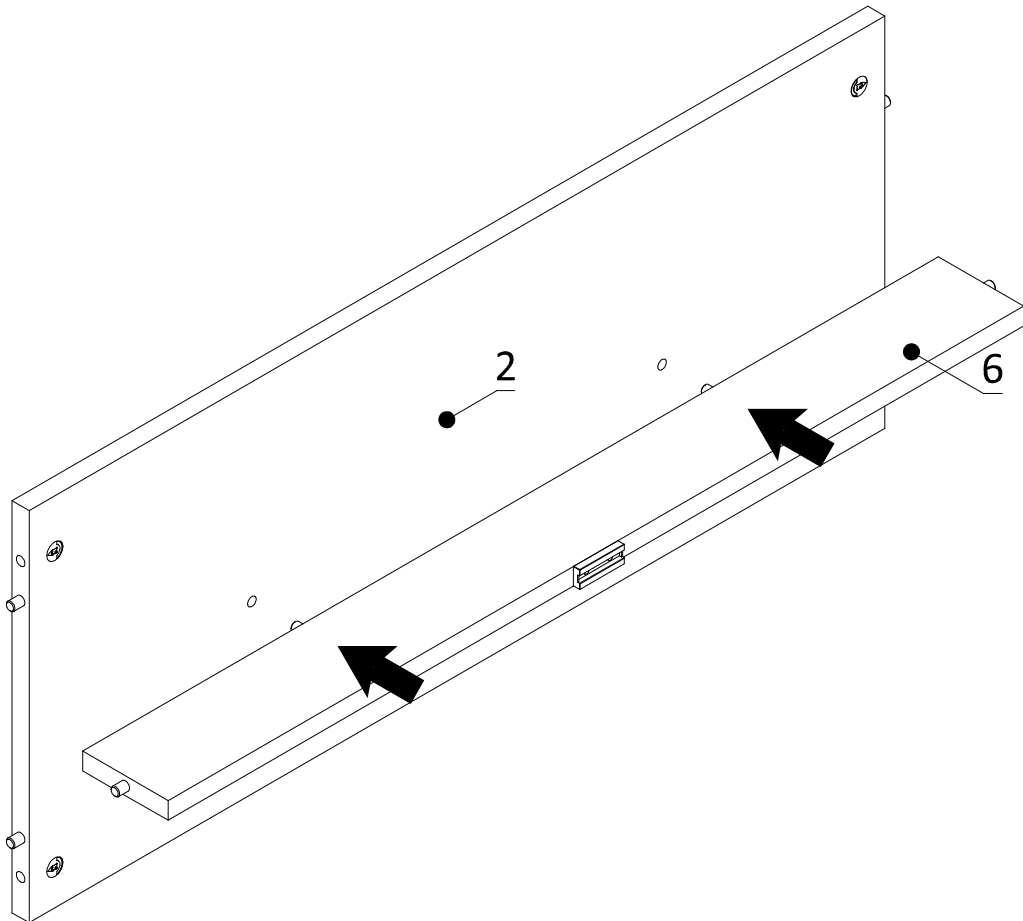
8



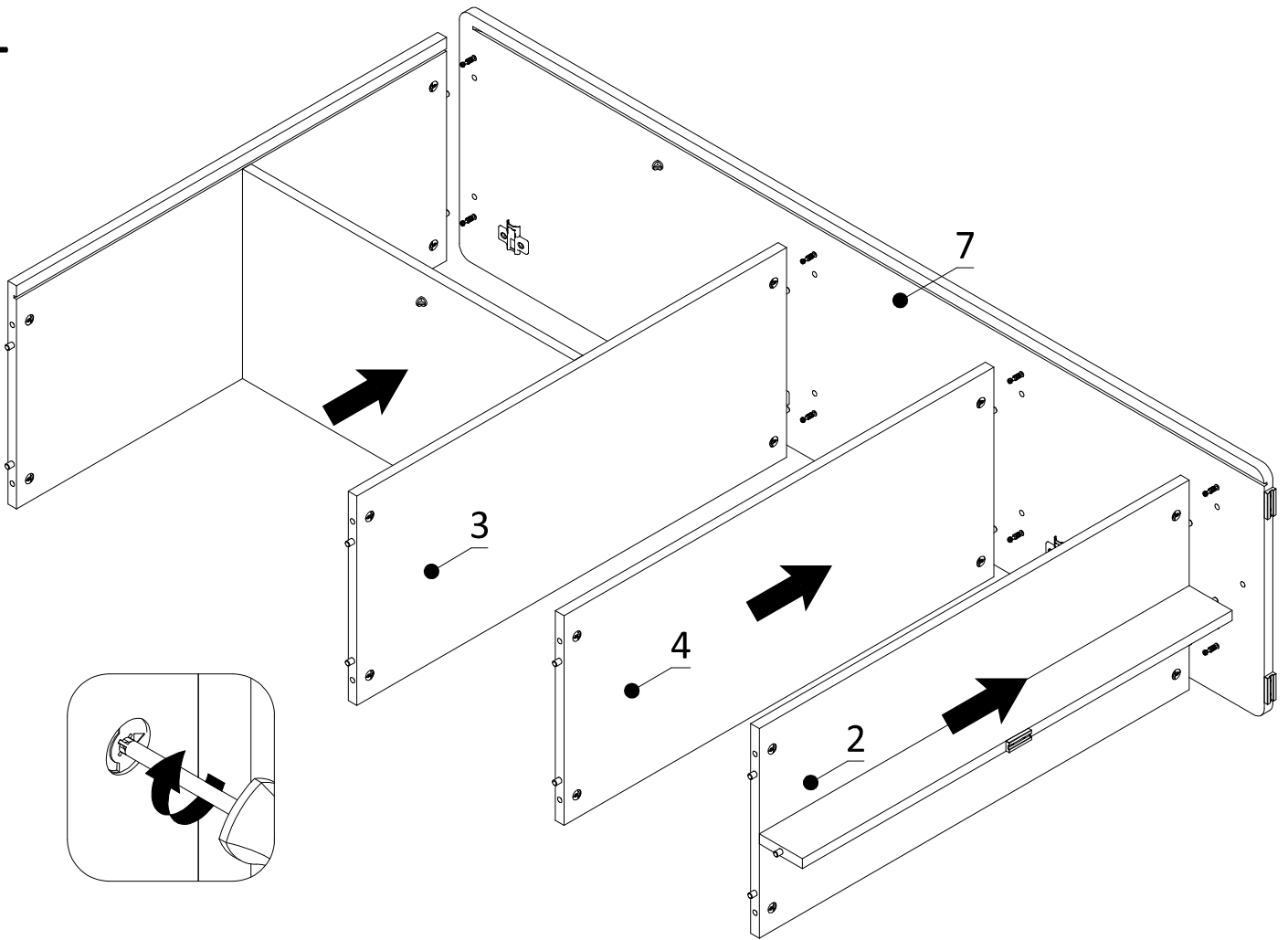
9



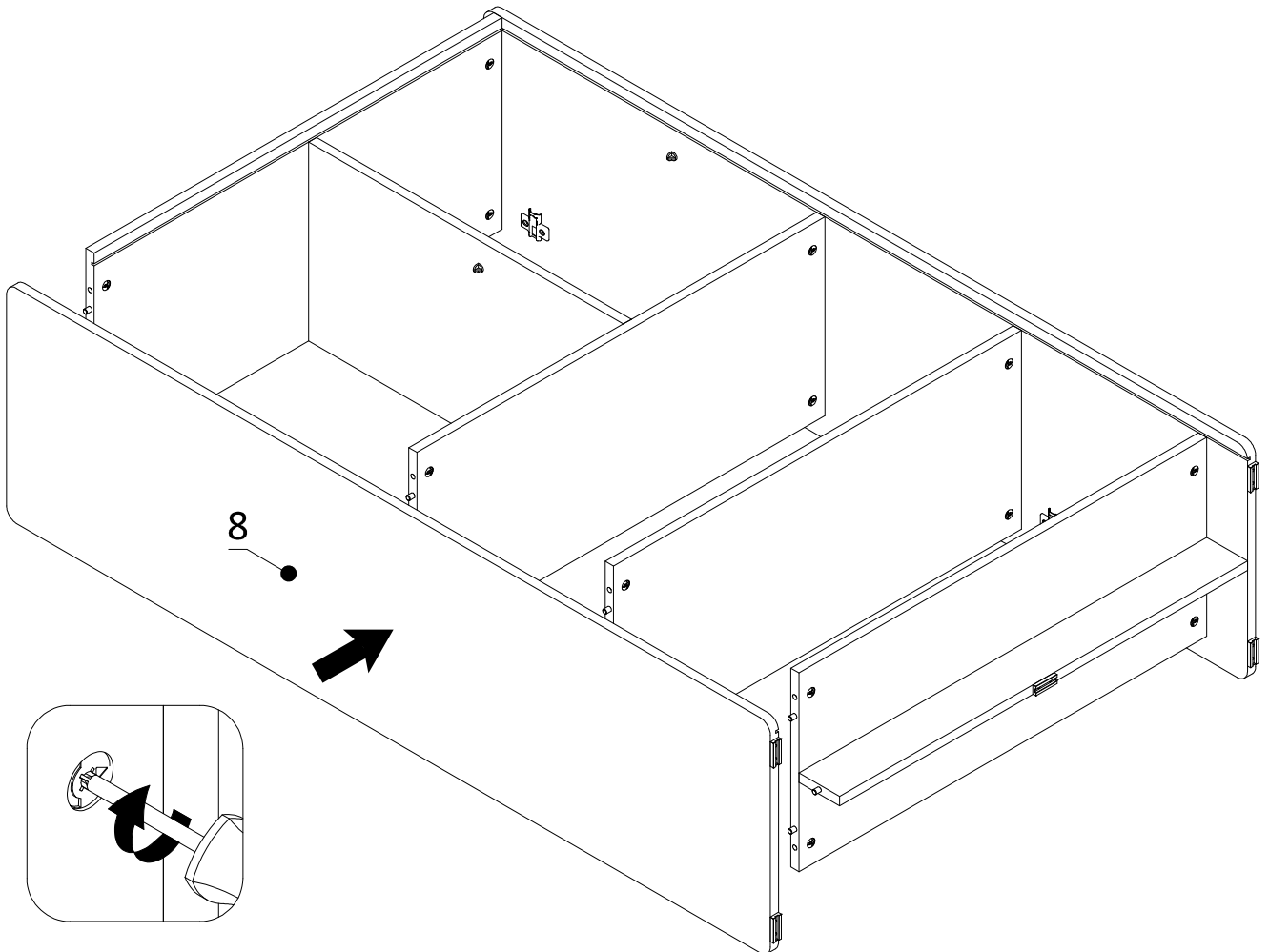
10



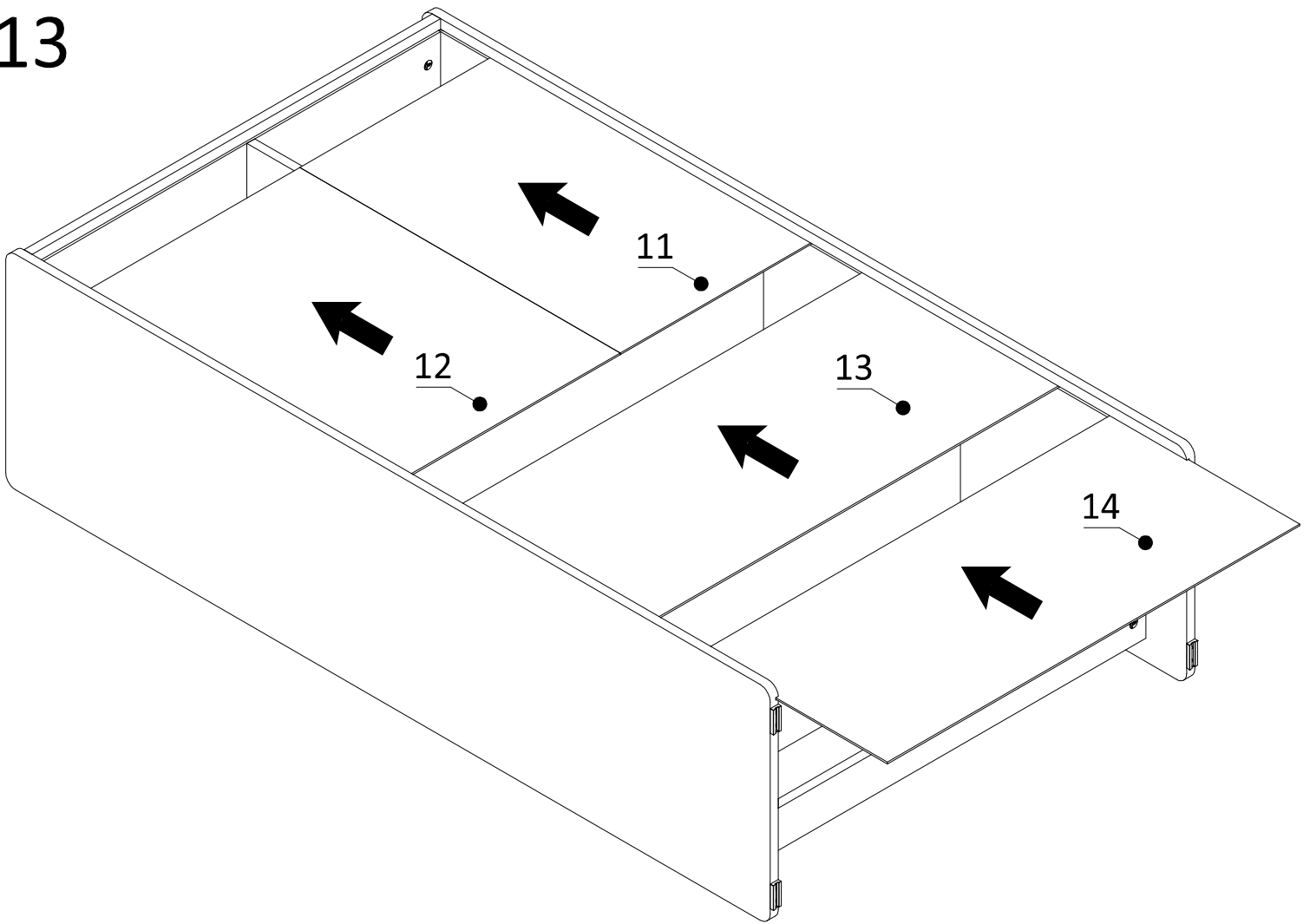
11



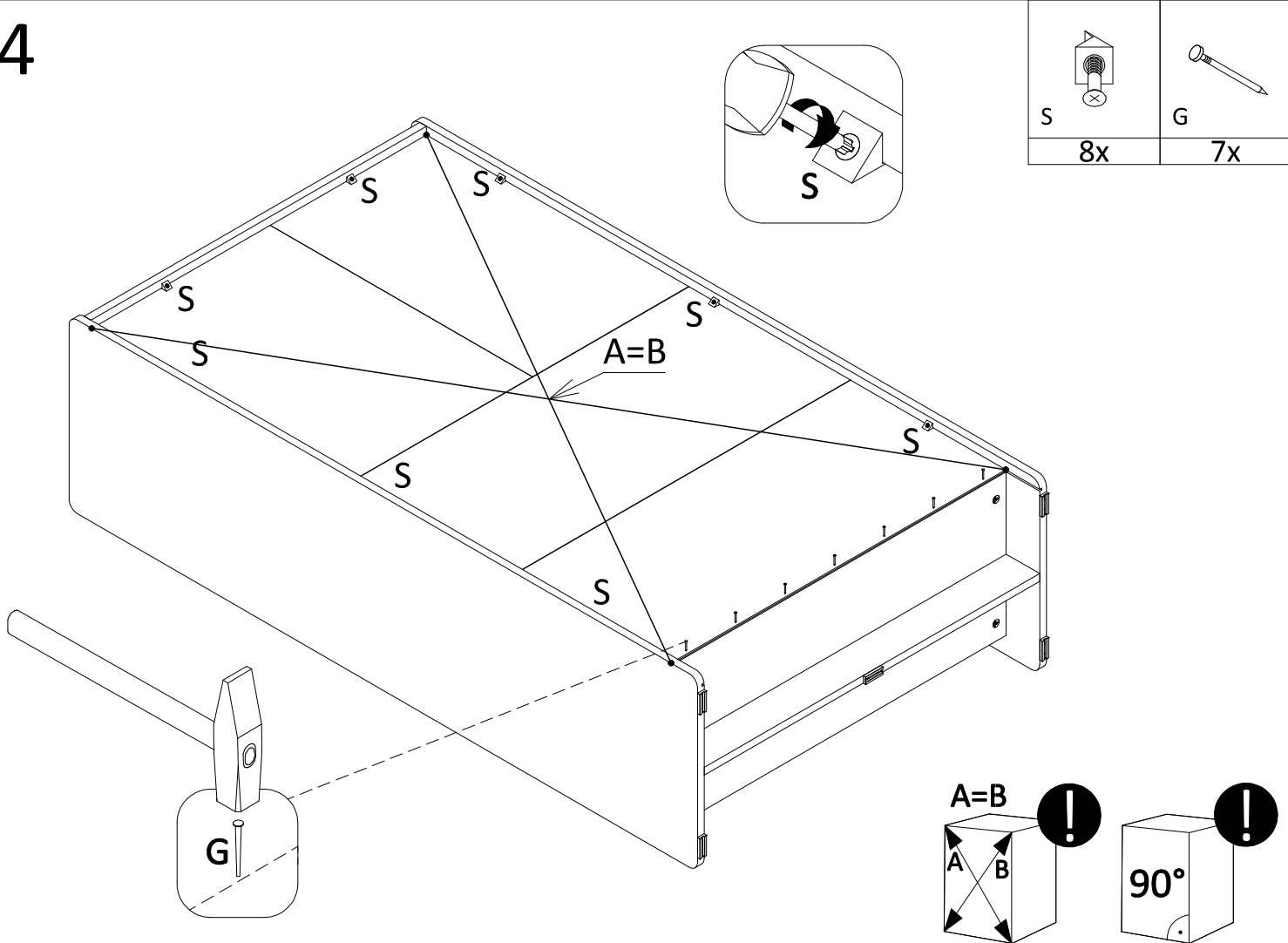
12



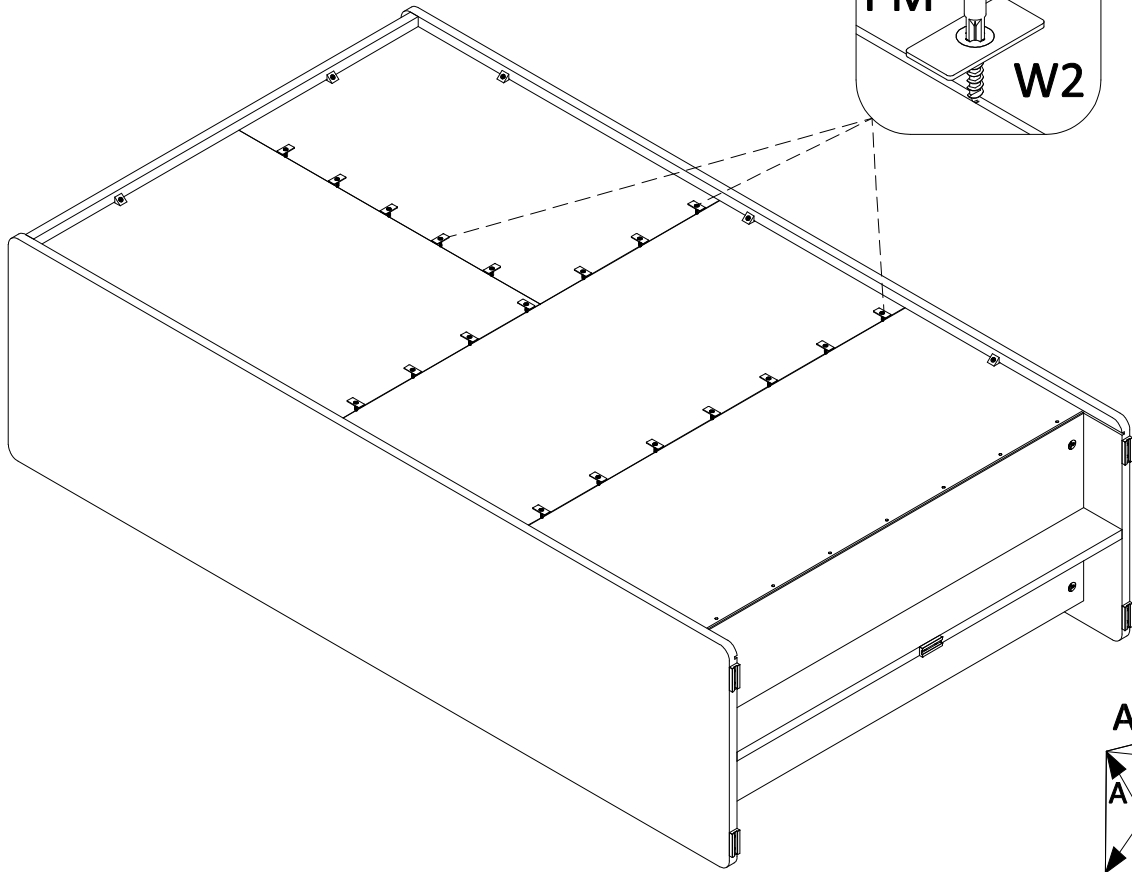
13





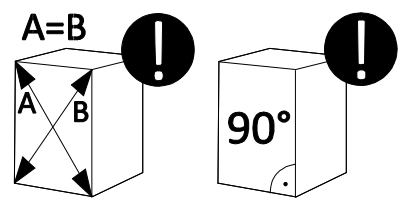
14



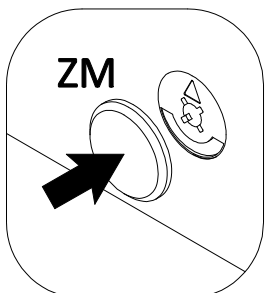
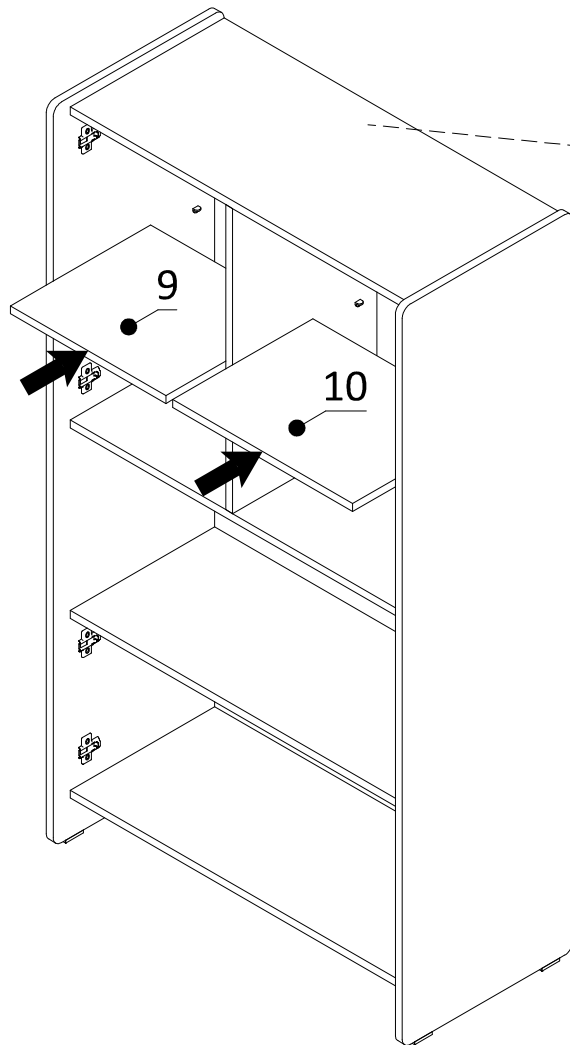
# 15

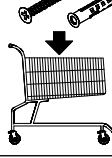


	
PM	W2
19x	19x




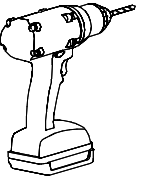
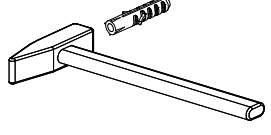
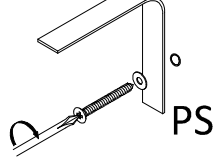
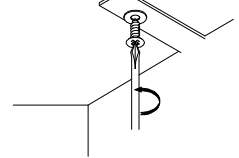
# 16

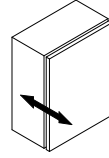
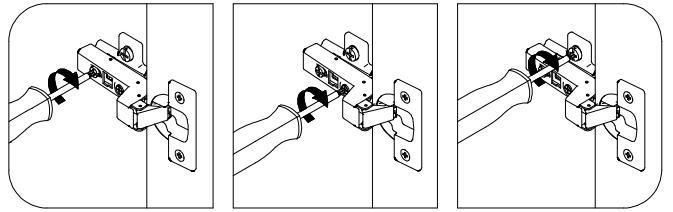




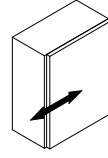
PS  
1x



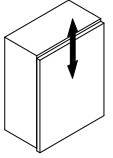
- 1** 
- 2** 
- 3** 
- 4** 



$\pm 2\text{mm}$



$\pm 2\text{mm}$



$\pm 2\text{mm}$

